

# 38999 PLUG CONNECTOR SIZE 11 & 13

Productsheet  
38999 Plug Connector -  
size 11 & 13

V1.0, 2021-02-14

Micropol Fiberoptic AB  
Älvdalsvägen 4  
313 50 Åled

Phone: +46 (0)35 17 85 39  
Mail: info@micropol.com

The MP-38999 Plug Connector is developed to meet the demands of fiber connection in harsh environments.

MP-38999 ruggedized connectors incorporate individual rear-insertable optical contacts. The removable socket insert helps support easy access to the optical faces to help simplify cleaning and maintenance.

Featuring spring-loaded optical contacts, tri-start threads and anti-vibration couplings, MP-38999-PL connectors are a rugged choice for use in many severe environments and tough application conditions.

## PART NUMBER

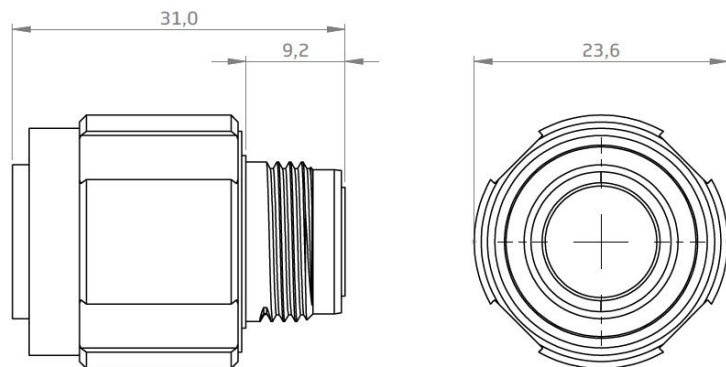
38999 Plug Connector size 11 | MP-38999-PL11-2SM

38999 Plug Connector size 13 | MP-38999-PL13-4SM

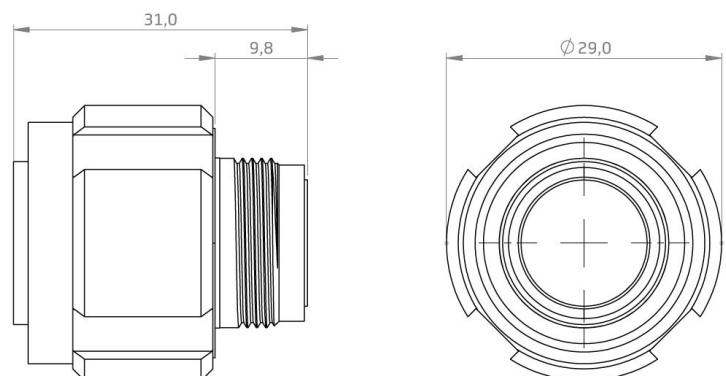
## FEATURES

- Self-locking threaded coupling
- Contact retention system provides excellent contact retention under severe vibration
- Grounding fingers for excellent EMI protection
- Metal-to-metal bottoming for maximum EMI grounding protection
- Connector is grounded when the shells meet, even before the contacts are engaged
- Trapezoidal thread for excellent shell-to-shell continuity
- Variety of shell materials and finishes

## 38999 PLUG CONNECTOR - SIZE 11



## 38999 PLUG CONNECTOR - SIZE 13



# 38999 PLUG CONNECTOR SIZE II & I3

## MATERIALS

Shell	Aluminum
Plating	Black zinc nickel
Insert	Thermoplastic and fluorinated silicone elastomer
EMI Spring Fingers	Nickel
O-Ring	Fluorinated silicone elastomer

## ENVIRONMENTAL

Temperature Range	-65°C to +200°C
Fluid Resistance	Fluid immersion per EIA 364.10, including resistance to: MIL-PRF-5606: Hydraulic fluid MIL-DTL-83133: JP-8 aviation fuel MIL-PRF-7808: Lubricating oil MIL-PRF-23699: Lubricating oil MIL-A-8243: Deicing/defrosting fluid MIL-C-25769: Aircraft cleaning compound MIL-PRF-87937: Aircraft cleaning compound MIL-G-3056: Gasoline
Salt Spray	500 hours Black zinc nickel
Thermal Cycling	-65°C to +150/175/200°C (max temperature is class dependent)

## MECHANICAL

Sine Vibration	Up to 60g for 36hr.
Random Vibration	Up to 41.7g for 16hr. at 175°C Up to 50g for 16hr. at ambient temperature
Shock	300g, 3ms in the 3 axes
Durability	500 matings cycles