

FALCON™ MINI D-HOLE SEALED

Product sheet
FALCON™ Mini D-hole
Sealed

V4.0, 2022-06-27

Micropol Fiberoptic AB
Älvdalsvägen 4
313 50 Åled

Phone: +46 (0)35 17 85 39
Mail: info@micropol.com

The FALCON connectors offer the best attenuation values and smallest 12-channel connector foot print on the market. With an insertion loss of <1,2 dB it outperforms NATO (<2,5 dB).

This is achieved with Micropol's lens technology, state of the art production and alignment process.

The FALCON Mini D-hole Sealed is the smallest expanded beam connector available on the market today. It can be configured with single-mode or multi-mode from 1 channel to 4 channels.

Like the other connectors in the FALCON family, it is compatible with other Mini-size expanded beam connectors on the market.

FEATURES

- Insertion loss <1,2 dB
- Only expanded beam approved for 40G transmission per channel (optional)
- Only 12-channel junior connector in the world with collimated light beam according to MIL-DTL-83526/20&21
- Temperature range -57°C - +85°C (+100°C optional)
- Hermaphroditic interconnection
- Rugged connector design
- Keyed boot for 'blind mating'
- No adaptors needed
- Easy clean, no special tools

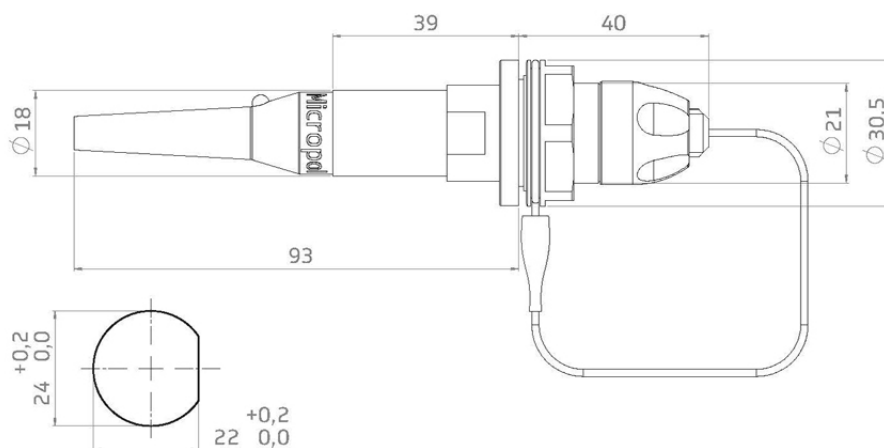
COMPATIBLE WITH:

FIBRECO - MINI 2

QPC Q - MICRO

TE PRO-BEAM - MINI

TELECAST MX - MINI



RECOMMENDED PANEL CUT-OUT

FALCON™ MINI D-HOLE SEALED

Optical

| | |
|---------------------|--|
| Type | Single-mode (SM), Multi-mode (MM) or hybrid |
| Transmission | 10Gbit/s (40Gbit/s optional) |
| Insertion loss (SM) | Typical insertion loss -0,8dB (1310 nm) Maximum insertion loss -1,2dB (1310 nm) |
| Insertion loss (MM) | Typical insertion loss -0,8dB (1300 nm) Maximum insertion loss -1,0dB (1300 nm) |
| Return loss | >35dB at 1310nm or 1550nm Polarization dependent loss less than 0,35 dB |

Mechanical

| | |
|----------------------------|--|
| Coupling type | Hermaphroditic |
| Compliant | ROHS & REACH |
| Material | Hard anodized aluminum |
| Alternative material | Marine bronze & stainless steel |
| Colour | Gray |
| Durability | 3000 mating cycles |
| Free fall | 500 falls from 1,2 meters height |
| Vibration | 5-500Hz, 0,75mm amplitude at 10G |
| Shaking | 390 m/S numbers of shakes 3x4000 |
| Shock pulse length | 11ms, half sine at 35g Numbers of axis: 3 (x, y, z) |
| Recommended wall thickness | 2-3 mm |

Environmental

| | |
|-----------------------|---------------------------------|
| Operating temperature | -57°C to +85°C, +100°C optional |
| Water immersion | IP67 |
| Air pressure | <25kPa -55°C during 4h |
| Corrosion resistance | 500h salt spray |
| Flammability | DOD-STD-1678, method 5010 |