

MIL LC CONNECTOR

Productsheet
MIL LC Connector

V3.0, 2022-06-22

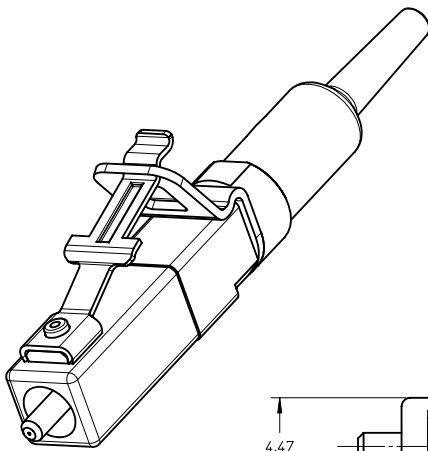
Micropol Fiberoptic AB
Älvdalsvägen 4
313 50 Åled

Phone: +46 (0)35 17 85 39
Mail: info@micropol.com

The MIL LC Connector have housing and clip in metal, which increase endurance in sub-zero temperatures compared to plastic designs that will become fragile. The metal housing also offers improved positions accuracy over time. When connected and disconnected multiple times, the plastic housing will tear out easier, compared to MIL LC Connector with metal housing and clip.



GENERAL



Product Family	Fiber Optic Connectors
Cable size	900µm
Material - Housing	Anodized Aluminum or Titan
Mode	Singlemode or Multimode
Wire/Cable Type	Simplex
Ferrule Hole Size	125µm
Ferrule Material	Ceramic

