

# FALCON™ MINI D-HOLE SEALED

Product sheet  
FALCON™ Mini D-hole  
Sealed

V4.0, 2022-08-11

Micropol Fiberoptic AB  
Älvdalsvägen 4  
313 50 Åled

Phone: +46 (0)35 17 85 39  
Mail: info@micropol.com

The FALCON connectors offer the best attenuation values and smallest 12-channel connector foot print on the market. With an insertion loss of <1,2 dB it outperforms NATO (<2,5 dB).

This is achieved with Micropol's lens technology, state of the art production and alignment process.

The FALCON Mini D-hole Sealed is the smallest expanded beam connector available on the market today. It can be configured with single-mode or multi-mode from 1 channel to 4 channels.

Like the other connectors in the FALCON family, it is compatible with other Mini-size expanded beam connectors on the market.

## FEATURES

- Insertion loss <1,2 dB
- Only expanded beam approved for 40G transmission per channel (optional)
- Only 12-channel junior connector in the world with collimated light beam according to MIL-DTL-83526/20&21
- Temperature range -57°C – +85°C (+100°C optional)
- Hermaphroditic interconnection
- Rugged connector design
- Keyed boot for 'blind mating'
- No adaptors needed
- Easy clean, no special tools

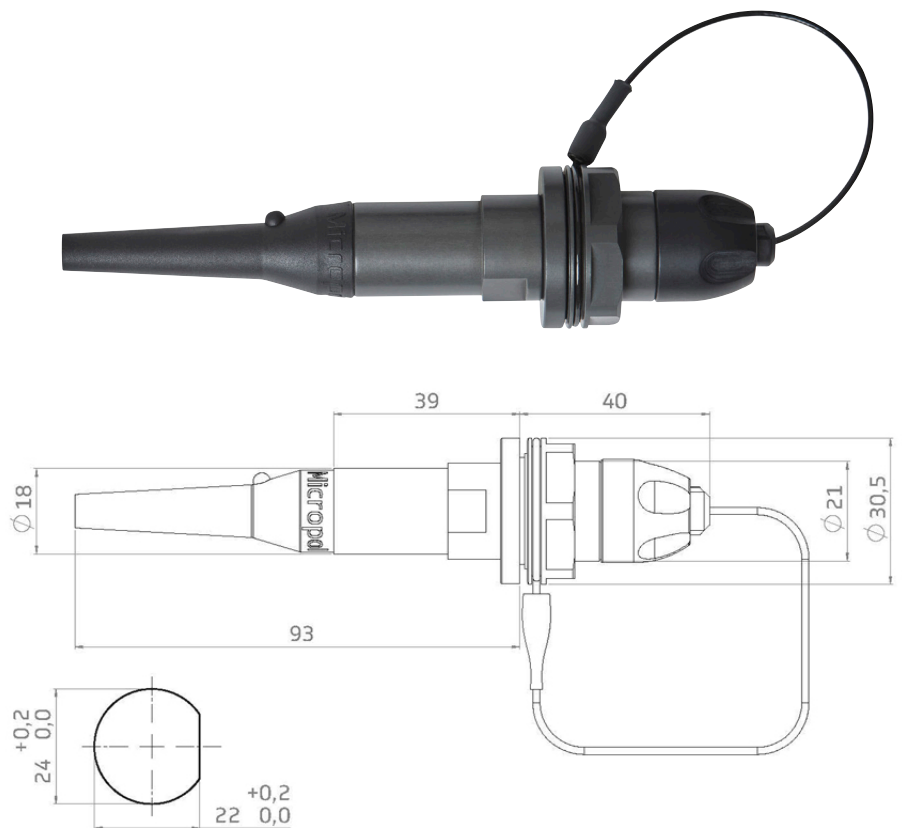
## COMPATIBLE WITH:

FIBRECO - MINI 2

QPC Q - MICRO

TE PRO-BEAM - MINI

TELECAST MX - MINI



RECOMMENDED PANEL CUT-OUT

# FALCON™ MINI D-HOLE SEALED

## Optical

|                     |  |
|---------------------|--|
| Type                | Single-mode (SM), Multi-mode (MM) or hybrid  |
| Transmission        | 10Gbit/s (40Gbit/s optional)   |
| Insertion loss (SM) | Typical insertion loss -0,8dB (1310 nm)<br>Maximum insertion loss -1,2dB (1310 nm) |
| Insertion loss (MM) | Typical insertion loss -0,8dB (1300 nm)<br>Maximum insertion loss -1,0dB (1300 nm) |
| Return loss         | >35dB at 1310nm or 1550nm<br>Polarization dependent loss less than 0,35 dB         |

## Mechanical

|                            |  |
|----------------------------|--|
| Coupling type              | Hermaphroditic   |
| Compliant                  | ROHS & REACH   |
| Material                   | Hard anodized aluminum                                 |
| Alternative material       | Marine bronze & stainless steel                        |
| Colour                     | Gray   |
| Durability                 | 3000 mating cycles                                     |
| Free fall                  | 500 falls from 1,2 meters height                       |
| Vibration                  | 5-500Hz, 0,75mm amplitude at 10G                       |
| Shaking                    | 390 m/S numbers of shakes 3x4000                       |
| Shock pulse length         | 11ms, half sine at 35g<br>Numbers of axis: 3 (x, y, z) |
| Recommended wall thickness | 2-3 mm   |

## Environmental

|                       |                                 |
|-----------------------|---------------------------------|
| Operating temperature | -57°C to +85°C, +100°C optional |
| Water immersion       | IP67                            |
| Air pressure          | <25kPa -55°C during 4h          |
| Corrosion resistance  | 500h salt spray                 |
| Flammability          | DOD-STD-1678, method 5010       |