

FALCON™ MINI XLR

Product sheet
FALCON™ Mini XLR

V4.0, 2022-02-25

Micropol Fiberoptic AB
Älvdalsvägen 4
313 50 Åled

Phone: +46 (0)35 17 85 39
Mail: info@micropol.com

The FALCON connectors offer the best attenuation values and smallest 12-channel connector foot print on the market. With an insertion loss of <math><1,2\text{ dB}</math> it outperforms NATO (<math><2,5\text{ dB}</math>)

This is achieved with Micropol's lens technology, state of the art production and alignment process.

The FALCON Mini XLR is the smallest expanded beam connector available on the market today. It can be configured with single-mode or multi-mode from 1 channel to 4 channels.

Like the other connectors in the FALCON family, it is compatible with other Mini-size expanded beam connectors on the market.

FEATURES

- Insertion loss <math><1,2\text{ dB}</math>
- Only expanded beam approved for 40G transmission per channel (optional)
- Only 12-channel junior connector in the world with collimated light beam according to MIL-DTL-83526/20&21
- Temperature range - Hermaphroditic interconnection
- Rugged connector design
- Keyed boot for 'blind mating'
- No adaptors needed
- Easy clean, no special tools

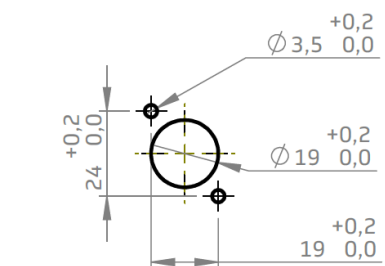
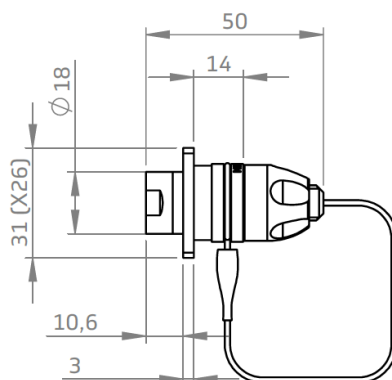
COMPATIBLE WITH:

FIBRECO - MINI 2

QPC Q - MICRO

TE PRO-BEAM - MINI

TELECAST MX - MINI



RECOMMENDED PANEL CUT-OUT

FALCON™ MINI XLR

Optical

Type	Single-mode (SM), Multi-mode (MM) or hybrid
Insertion loss (SM)	Typical insertion loss -0,8dB (1310 nm) Maximum insertion loss -1,2dB (1310 nm)
Insertion loss (MM)	Typical insertion loss -0,8dB (1300 nm) Maximum insertion loss -1,0dB (1300 nm)
Return loss	>35dB at 1310nm or 1550nm Polarization dependent loss less than 0,35 dB

Mechanical

Coupling type	Hermaphroditic
Compliant	ROHS & REACH
Material	Hard anodized aluminum
Alternative material	Marine bronze & stainless steel
Colour	Gray
Durability	3000 mating cycles
Free fall	500 falls from 1,2 meters height
Vibration	5-500Hz, 0,75mm amplitude at 10G
Shaking	390 m/S numbers of shakes 3x4000
Shock pulse length	11ms, half sine at 35g Numbers of axis: 3 (x, y, z)
Recommended wall thickness	2-3 mm

Environmental

Operating temperature	-57°C to +85°C, +100°C optional
Water immersion	IP67
Air pressure	<25kPa -55°C during 4h
Corrosion resistance	500h salt spray
Flammability	DOD-STD-1678, method 5010