

PROCON™ JR SQUARE

Product sheet
PROCON™ JR Square

V2.1, 2023-12-05

AB Micropol Fiberoptic
Älvdalsvägen 4
313 50 Åled

Phone: +46 (0)35 17 85 39
Mail: info@micropol.com

The PROCON connectors offers a good attenuation. With an insertion loss of <1,5 dB it outperforms the NATO specification (<2,5 dB).

PROCON is built according to MIL-DTL-83526/21 military standard.

PROCON has the advantage of being produced inhouse in Åled, Sweden which also means a stable delivery performance and we are able to promise shorter leadtimes.

Like the other connectors in the Micropol PROCON expanded beam family, it is compatible with other junior sized expanded beam connectors on the market.

FEATURES

- Insertion loss <1,5 dB
- Built according to MIL-DTL-83526/21 military standard
- Temperature range -57°C – +85°C
- Hermaphroditic interconnection
- Rugged connector design
- Keyed boot for blind mating
- No adaptors needed
- Easy clean, no special tools

COMPATIBLE WITH*:

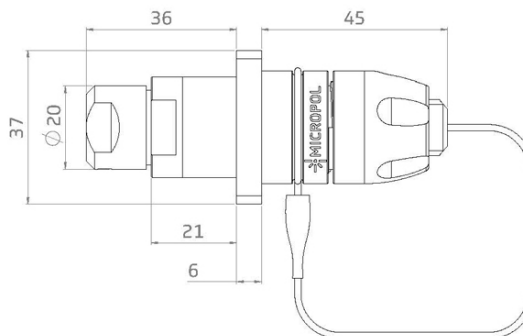
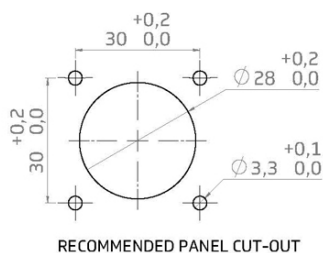
FIBRECO JUNIOR

QPC Q-MINI

TE PRO-BEAM Junior

Amphenol TacBeam

Stratos HMA



PROCON™ JR SQUARE

Standard configurations

PROCON™ JUNIOR | 1 to 4 channels

Optical

Type	Single mode (SM), multimode (MM) or hybrid
Transmission	10Gbit/s
Insertion loss (SM)	Typical Insertion Loss -1,0dB (1310 nm) Maximum Insertion Loss -1,5dB (1310 nm)
Insertion loss (MM)	Typical Insertion Loss -1,0dB (1300 nm) Maximum Insertion Loss -1,5dB (1300 nm)
Return loss (PDL)	>35dB at 1310nm or 1550nm Polarization dependent loss less than 0,5dB

Mechanical

Coupling type	Hermaphroditic
Compliant	ROHS & REACH
Material	Hard anodized aluminum
Alternative material	Marine bronze, stainless steel or titanium
Colour	Grey
Durability	3000 mating cycles
Free fall	500 falls from 1,2 meters height
Vibration	5-500Hz, 0,75mm amplitude at 10G
Shaking	390 m/S numbers of shakes 3x4000
Shock pulse length	11ms, half sine at 35g Numbers of axis: 3 (x, y, z)
Recommended wall thickness	2-3 mm - not valid for cable plug JR and Mini

Environmental

Operating temperature	-57°C to +85°C,
Water immersion	IP67
Air pressure	<25kPa -55°C during 4h
Corrosion resistance	500h salt spray
Flammability	DOD-STD-1678, method 5010