

# FALCON™ JR SQUARE

Product sheet  
FALCON™ JR SQ

V7.0 2023-09-11

Micropol Fiberoptic AB  
Älvdalsvägen 4  
313 50 Åled

Phone: +46 (0)35 17 85 39  
Mail: info@micropol.com

The FALCON connectors offer the best attenuation values and smallest 12-channel connector foot print on the market. With an insertion loss of <1,2 dB it outperforms NATO specification (<2,5 dB).

This is achieved with Micropol's lens technology, state of the art production and alignment process.

The FALCON expanded beam connector JR SQ is the only junior-sized connector in the world with a range from 1- 12 fibers, that have approved beam size according to MIL-M83526/20&21.

Like the other connectors in the FALCON family, it is compatible with other Junior-size expanded beam connectors on the market.

## FEATURES

- Insertion loss <1,2 dB
- Only expanded beam approved for 40G transmission per channel (optional)
- Only 12-channel junior connector in the world with collimated light beam according to MIL-DTL-83526/20&21
- Temperature range -57°C – +85°C (+100°C optional)
- Hermaphroditic interconnection
- Rugged connector design
- Keyed boot for 'blind mating'
- No adaptors needed
- Easy clean, no special tools

## COMPATIBLE WITH\*:

FIBRECO JUNIOR

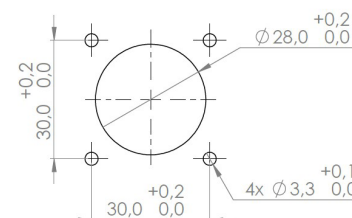
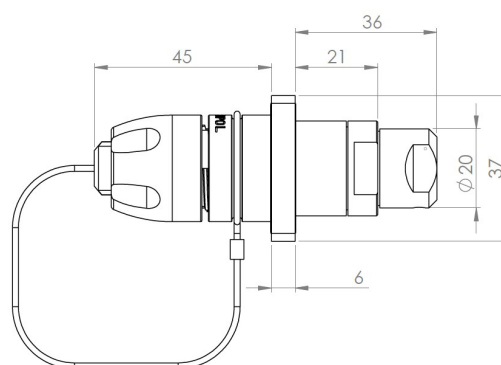
QPC Q-MINI

TE PRO-BEAM Junior

Amphenol TacBeam

Stratos HMA

\* *Exception 12-channel*



Recommended panel Cut-out

# FALCON™ JR SQUARE

## Optical

Type	Single-mode (SM), Multi-mode (MM) or hybrid
Transmission	10Gbit/s (40Gbit/s optional)
Insertion loss (SM)	Typical insertion loss -0,8dB (1310 nm) Maximum insertion loss -1,2dB (1310 nm)
Insertion loss (MM)	Typical insertion loss -0,8dB (1300 nm) Maximum insertion loss -1,0dB (1300 nm)
Return loss	>35dB at 1310nm or 1550nm Polarization dependent loss less than 0,35 dB

## Mechanical

Coupling type	Hermaphroditic
Compliant	ROHS & REACH
Material	Hard anodized aluminum
Alternative material	Marine bronze & stainless steel
Colour	Gray
Durability	3000 mating cycles
Free fall	500 falls from 1,2 meters height
Vibration	5-500Hz, 0,75mm amplitude at 10G
Shaking	390 m/S numbers of shakes 3x4000
Shock pulse length	11ms, half sine at 35g Numbers of axis: 3 (x, y, z)
Recommended wall thickness	2-3 mm

## Environmental

Operating temperature	-57°C to +85°C, +100°C optional
Water immersion	IP67
Air pressure	<25kPa -55°C during 4h
Corrosion resistance	500h salt spray
Flammability	DOD-STD-1678, method 5010