

# PROCON™ MINI SLP PLUG

Product sheet  
PROCON™ Mini SLP Plug

V3.1, 2023-12-05

AB Micropol Fiber optic  
Älvdalsvägen 4  
313 50 Åled

Phone: +46 (0)35 17 85 39  
Mail: info@micropol.com

The PROCON connectors offers a good attenuation. With an insertion loss of <1,5 dB it outperforms the NATO specification (<2,5 dB).

The PROCON Mini SLP plug is one of the smaller expanded beam connectors available on the market today. The low profile allows it to be used even in the most cramped environments and installations.

PROCON has the advantage of being produced inhouse in Åled, Sweden which also means a stable delivery performance and we are able to promise shorter leadtimes.

Like the other connectors in the Micropol PROCON expanded beam family, it is compatible with other mini sized expanded beam connectors on the market.

## FEATURES

- Insertion loss <1,5 dB
- Temperature range  
-57°C – +85°C
- Hermaphroditic interconnection
- Rugged connector design
- Keyed boot for blind mating
- No adaptors needed
- Easy clean, no special tools

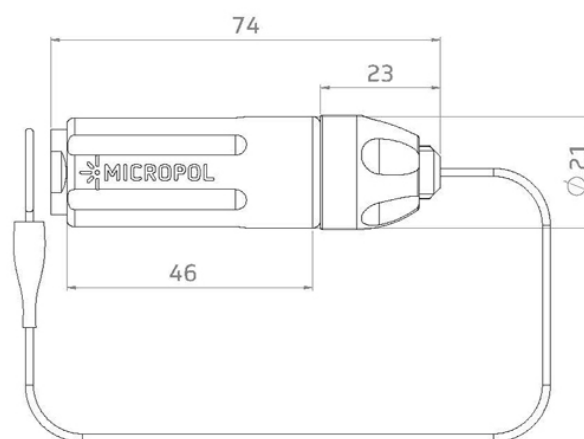
## COMPATIBLE WITH:

FIBRECO - MINI 2

QPC Q - MICRO

TE PRO-BEAM - MINI

TELECAST MX - MINI



# PROCON™ MINI SLP PLUG

## Standard configurations

PROCON™ MINI | 1 to 4 channels

## Optical

Type | Single mode (SM), multimode (MM) or hybrid

Transmission | 10Gbit/s

Insertion loss (SM) | Typical Insertion Loss -1,0dB (1310 nm)  
Maximum Insertion Loss -1,5dB (1310 nm)

Insertion loss (MM) | Typical Insertion Loss -1,0dB (1300 nm)  
Maximum Insertion Loss -1,5dB (1300 nm)

Return loss (PDL) | >35dB at 1310nm or 1550nm  
Polarization dependent loss less than 0,5dB

## Mechanical

Coupling type | Hermaphroditic  
Compliant | ROHS & REACH  
Material | Hard anodized aluminum  
Alternative material | Marine bronze, stainless steel or titanium  
Colour | Grey  
Durability | 3000 mating cycles  
Free fall | 500 falls from 1,2 meters height  
Vibration | 5-500Hz, 0,75mm amplitude at 10G  
Shaking | 390 m/S numbers of shakes 3x4000  
Shock pulse length | 11ms, half sine at 35g  
Numbers of axis: 3 (x, y, z)  
Recommended wall thickness | 2-3 mm - not valid for cable plug JR and Mini

## Environmental

Operating temperature | -57°C to +85°C,  
Water immersion | IP67  
Air pressure | <25kPa -55°C during 4h  
Corrosion resistance | 500h salt spray  
Flammability | DOD-STD-1678, method 5010