

# MIL-ODF WITH FALCON™ JR-SQ 2-12 CHANNELS

Produktblad  
MIL-ODF FALCON JR SQ

V2.0, 2021-06-03

Micropol Fiberoptic AB  
Älvdalsvägen 4  
313 50 Åled

Phone: +46 (0)35 17 85 39  
Mail: info@micropol.com

## RUGGED ODF BOXES FOR ROUGH CONDITIONS AND VIBRATIONS

Micropol Military ODFs (Optical Distribution Frame) are used as connection panels in fiber optic cable systems. We manufacture and supply customized cable systems with rugged, high-quality field cables that can resist shaky environments with a lot of vibrations, as well as Antarctic ice and Saharan heat.

The ODF is modular and has several configurations with adapters and FALCON connectors. It's possible to stack several panels on each other to save space in vehicles and racks.

Size and color are adjustable. It is also possible to mount active copper into the ODF.

## FEATURES

- Operating temperature -55°C to +85°C
  - IP67
  - EMC/EMI
  - Tailor-made
  - Vehicle approved by Swedish Armed Forces
  - Modular
1. FALCON™ JR-SQ
  2. Adapter, MIL LC Duplex Metallic
  3. MIL-ODF
  4. Bracket holder (incl. in the delivery)



| ODF Panel | Measurements box | Measurements equipped box (max) | Weight | Material         | Color                | Fibers |
|-----------|------------------|---------------------------------|--------|------------------|----------------------|--------|
| 19"/2     | 180x220x44 mm    | 230x220x44 mm                   | 1000g  | SS-EN 6082 (Alu) | Green<br>RAL 6031-F9 | 2-12   |
| 19"/4     | 140x110x44 mm    | 190x110x44 mm                   | 530g   | SS-EN 6082 (Alu) |                      |        |



## ACCESSORIES

- Mounting plate for cover to assemble 2x 19.
- Mounting bracket to fasten ODF onto 19" rack.
- Mounting plate for side to give more space between the mounting bracket and ODF.
- Torx.
- Additional screws M4x6.
- Green plastic case.
- User manual.

# FALCON™ JR-SQ

The FALCON connectors has the best optical performance on the market. This is achieved with Micropol's lens technology, state of the art production and alignment process.

The FALCON expanded beam connector JR-SQ is the only junior sized connector in the world with a range from 1- 12 fibers, that have approved beam size according to MIL-M83526/20&21.

Like the other connectors in the FALCON-family, it is compatible with other junior-size expanded beam connectors on the market.

## FEATURES

- Built according to MIL-M83526/20&21
- Advanced expanded beam technology
- Hermaphroditic interconnection
- 1 to 12 fiber channels single-mode or multi-mode
- No adaptors needed
- Low downtime field repair
- Easy clean, no special tools

## COMPATIBLE WITH:

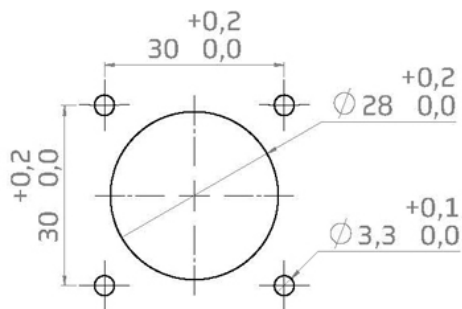
FIBRECO JUNIOR

QPC Q-MINI

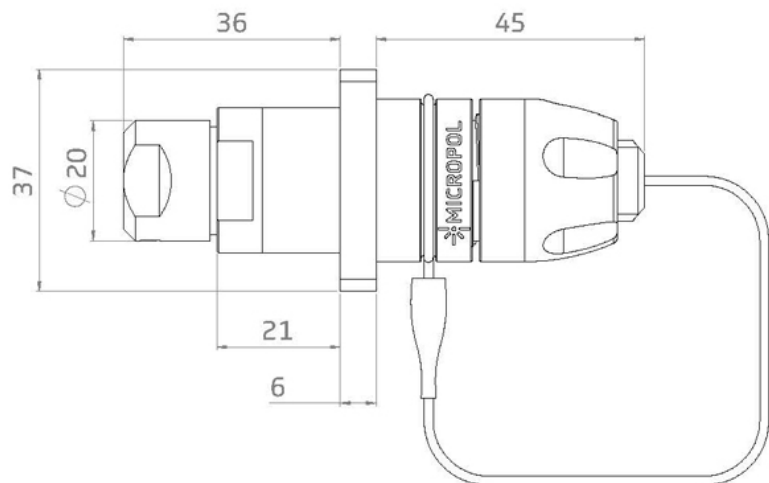
TE PRO-BEAM Junior

Amphenol TacBeam

Stratos HMA



RECOMMENDED PANEL CUT-OUT



# FALCON™ JR-SQ

## Optical

|                     |  |
|---------------------|--|
| Type                | Single-mode (SM), Multi-mode (MM) or hybrid  |
| Insertion Loss (SM) | Typical insertion Loss -0,8dB (1310 nm)<br>Maximum insertion Loss -1,2dB (1310 nm) |
| Insertion Loss (MM) | Typical insertion Loss -0,8dB (1300 nm)<br>Maximum insertion Loss -1,0dB (1300 nm) |
| Return loss         | >35dB at 1310nm or 1550nm<br>Polarization Dependent Loss less than 0,35dB          |

## Mechanical

|                            |  |
|----------------------------|--|
| Coupling type              | Hermaphroditic   |
| Compliant                  | ROHS & REACH   |
| Material                   | Hard anodized aluminum                                 |
| Alternative material       | Marine bronze & stainless steel                        |
| Colour                     | Gray   |
| Durability                 | 3000 mating cycles                                     |
| Free fall                  | 500 falls from 1,2 meters height                       |
| Vibration                  | 5-500Hz, 0,75mm amplitude at 10G                       |
| Shaking                    | 390 m/S numbers of shakes 3x4000                       |
| Shock pulse length         | 11ms, half sine at 35g<br>Numbers of axis: 3 (x, y, z) |
| Recommended wall thickness | 2-3 mm   |

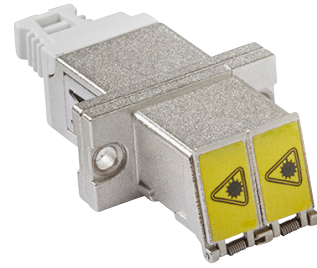
## Enviromental

|                       |                                 |
|-----------------------|---------------------------------|
| Operating Temperature | -57°C to +85°C, +100°C optional |
| Water Immersion       | IP67                            |
| Air pressure          | <25kPa -55°C during 4h          |
| Corrosion resistance  | 500h salt spray                 |
| Flammability          | DOD-STD-1678, method 5010       |

# ADAPTER - MIL LC DUPLEX METALLIC

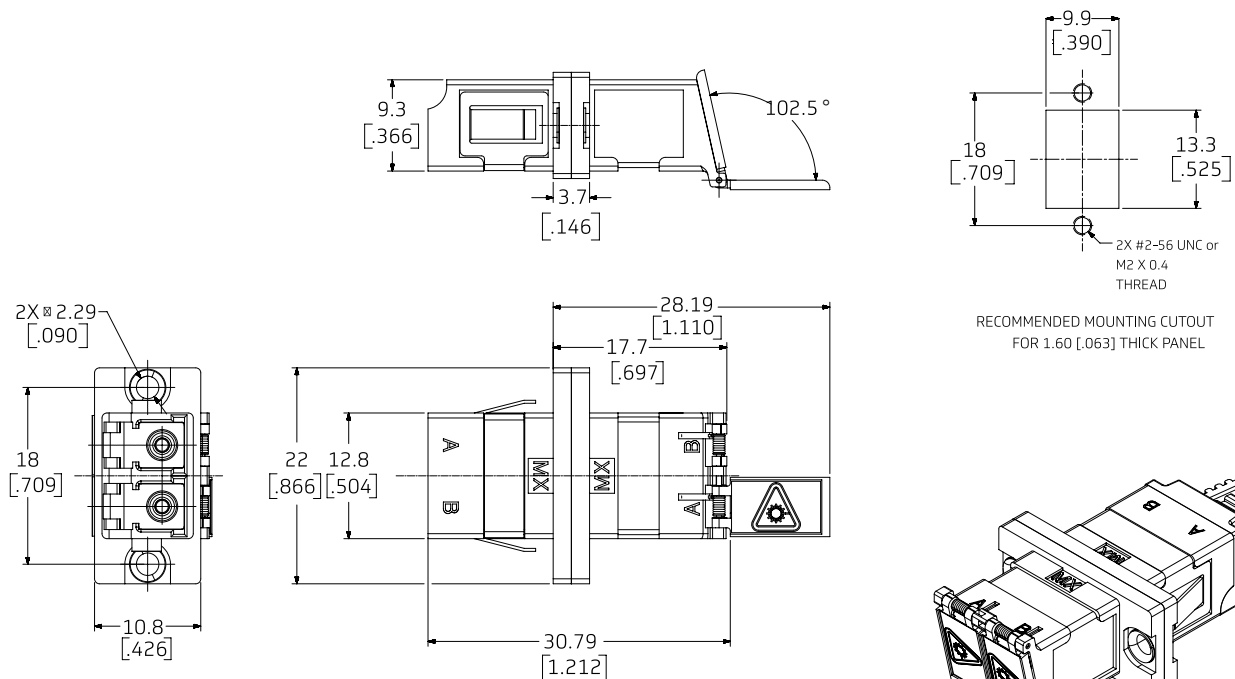
Adapter MIL LC DUPLEX meet the growing demand for small form factor and high-density fiber optic connectivity.

Adapter MIL LC DUPLEX reduce space requirements by 50%, over 2.50mm ferrule connectors, without sacrificing performance. The adapter has both snap-mount and screw-mount, ceramic alignment sleeve and are also provided with safety shutters on one side to help prevent eye injuries, and protection against dust and debris.



## LC/LC

- Adapter MIL LC DUPLEX in metal with ceramic alignment sleeve.
- Operating temperature -40 — +85 °C
- Duplex version
- Screw-mount and snap-mount
- Metal housing provide Electro Magnetic Interference (EMI) protection
- Optimizes insertion loss performance
- Press-to-release design for ease-of-use
- Tested to Telcordia GR-326 and Compliant to TIA/EIA-604-10A (FOCIS-10)



1. ALL DIMENSIONS ARE FOR REFERENCE ONLY.