

ADAPTER - MIL LC DUPLEX METALLIC

Productsheet
Adapter MIL LC DUPLEX
Metallic

V4.0, 2023-04-12

Micropol Fiberoptic AB
Älvdalsvägen 4
313 50 Åled

Phone: +46 (0)35 17 85 39
Mail: info@micropol.com

Adapter MIL LC DUPLEX meet the growing demand for small form factor and high-density fiber optic connectivity.

Adapter MIL LC DUPLEX reduce space requirements by 50%, over 2.50mm ferrule connectors, without sacrificing performance. The adapter have both snap-mount and screw-mount, ceramic alignment sleeve and are also provided with safety shutters on one side to help prevent eye injuries.

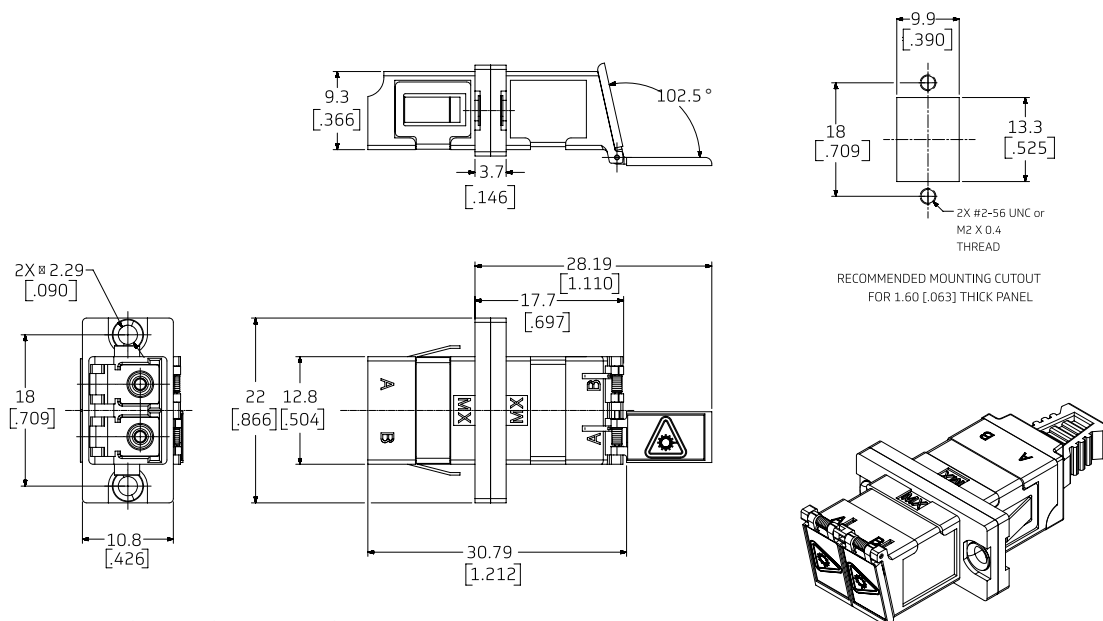


LC/LC

- Adapter MIL LC DUPLEX in metal with ceramic alignment sleeve.
- Operating temperature -40 — +85 °C.
- Storage temperature -40 — +85 °C.
- Duplex version.
- Screw-mount and snap-mount.
- Metal housing.
- Optimizes insertion loss performance.
- Press-to-release design for ease-of-use.
- Tested to Telcordia GR-326 and Compliant to TIA/EIA-604-10A (FOCIS-10).

ORDER INFORMATION

METAL LC DPLX ADP :- MP 123



1. ALL DIMENSIONS ARE FOR REFERENCE ONLY.