

FALCON™ MINI SLP PLUG

Product sheet
FALCON™ Mini SLP Plug

V4.0, 2022-02-25

Micropol Fiberoptic AB
Älvdalsvägen 4
313 50 Åled

Phone: +46 (0)35 17 85 39
Mail: info@micropol.com

The FALCON connectors offer the best attenuation values and smallest 12-channel connector foot print on the market. With an insertion loss of <1,2 dB it outperforms NATO (<2,5 dB).

This is achieved with Micropol's lens technology, state of the art production and alignment process.

The FALCON Mini (SLP) Super-Low-Profile Plug is the smallest expanded beam connector available on the market today. It can be configured with single-mode or multi-mode from 1 channel to 4 channels.

The Super-Low Profile allows it to be used even in the most cramped environments and installations.

FEATURES

- Insertion loss <1,2 dB
- Only expanded beam approved for 40G transmission per channel (optional)
- Only 12-channel junior connector in the world with collimated light beam according to MIL-DTL-83526/20&21
- Temperature range -57°C - +85°C (+100°C optional)
- Hermaphroditic interconnection
- Rugged connector design
- Keyed boot for 'blind mating'
- No adaptors needed
- Easy clean, no special tools

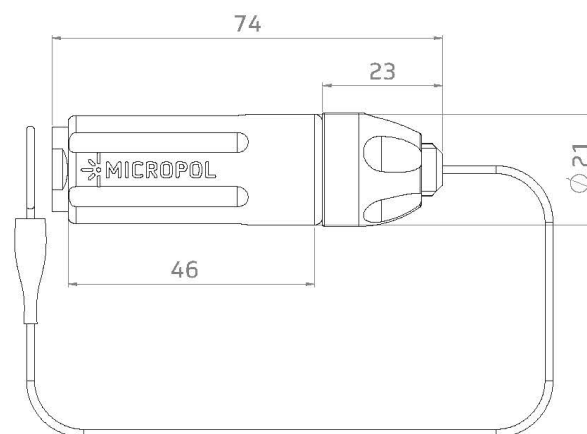
COMPATIBLE WITH:

FIBRECO - MINI 2

QPC Q - MICRO

TE PRO-BEAM - MINI

TELECAST MX - MINI



FALCON™ MINI SLP PLUG

Optical

Type	Single-mode (SM), Multi-mode (MM) or hybrid
Insertion loss (SM)	Typical insertion loss -0,8dB (1310 nm) Maximum insertion loss -1,2dB (1310 nm)
Insertion loss (MM)	Typical insertion loss -0,8dB (1300 nm) Maximum insertion loss -1,0dB (1300 nm)
Return loss	>35dB at 1310nm or 1550nm Polarization dependent loss less than 0,35 dB

Mechanical

Coupling type	Hermaphroditic
Compliant	ROHS & REACH
Material	Hard anodized aluminum
Alternative material	Marine bronze & stainless steel
Colour	Gray
Durability	3000 mating cycles
Free fall	500 falls from 1,2 meters height
Vibration	5-500Hz, 0,75mm amplitude at 10G
Shaking	390 m/S numbers of shakes 3x4000
Shock pulse length	11ms, half sine at 35g Numbers of axis: 3 (x, y, z)
Recommended wall thickness	2-3 mm

Environmental

Operating temperature	-57°C to +85°C, +100°C optional
Water immersion	IP67
Air pressure	<25kPa -55°C during 4h
Corrosion resistance	500h salt spray
Flammability	DOD-STD-1678, method 5010