

BACKPACK

for Tactical Cable Drum R-105

v7.1, 2024-10-31

Micropol offers low weight ergonomic backpacks for field deployment of optical fiber in any harsh surrounding. This easy to carry backpack is well suited for use in a variety of situations e.g. tactical communication, mobile emergency telecommunication stations, broadcast applications and mining and exploration operations.

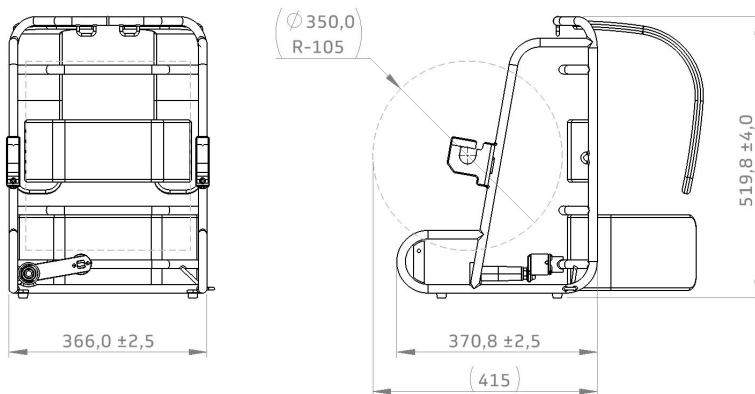
Features

- Ergonomic design
- Adjustable straps
- Durable padding
- Easy to deploy & rewind
- Stable reelstand
- High friction bumper feet
- Handle - easy to use






N.B. DRUM IS NOT INCLUDED

Drawing*



*Drawings are not to scale. Dimension in mm.
General tolerance according to din ISO 2766 T1 V.

Technical Specifications

Part. number	Description	Color	Material	Weight without cable drum	Storage temp.
MP-BP-105-GREEN	BACKPACK FOR R105 GREEN	 RAL 6031	Sheet Material	4.6kg	-40°C to +70°C
MP-BP-105-SAND	BACKPACK FOR R105 SAND	 RAL 1039			
MP-BP-105-BLACK	BACKPACK FOR R105 BLACK	 RAL 9021			






OPTIONAL ASSEMBLIES

for Backpack for Tactical Cable Drum R-105

Tactical Backpack with Brake




The Tactical backpack is available with an optional brake. The brake is easy to control by the operator while carrying the backpack. The option is suitable when deploying of long cable lengths at high speed.

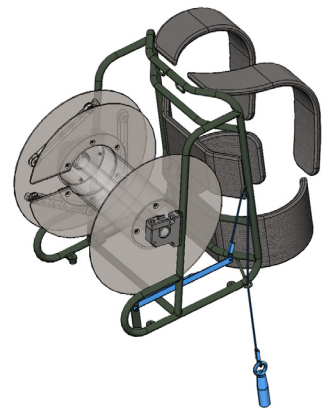
Part. number	Description	Color
MP-BP-105-GREEN-B	Backpack for R-105 Green with brake	 RAL 6031
MP-BP-105-SAND-B	Backpack for R-105 Sand with brake	 RAL 1039
MP-BP-105-BLACK-B	Backpack for R-105 Black with brake	 RAL 9021



Friction Brake Assembly

The brake is retrofittable and can easily be added to MP-BP-R105 supplied after 2022-09-01.

Part. number	Description	Color
MPA-0080-M1-CE2	BP-R105, Friction Brake Assembly, Green	 RAL 6031
MPA-0080-M1-CN1	BP-R105, Friction Brake Assembly, Sand	 RAL 1039
MPA-0080-M1-CB2	BP-R105, Friction Brake Assembly, Black	 RAL 9021



Brake Pad, spare part

Brake pad available as spare part for replacing worn-out brake pad.

Part. number	Description
MPP-0295-M1	BP-R105 Friction Brake, Brake Pad