

MICROPOL HMC D-HOLE

Product sheet
Micropol HMC D-hole

V4.0, 2023-09-07

Micropol Fiberoptic AB
Älvdalsvägen 4
313 50 Åled

Phone: +46 (0)35 17 85 39
Mail: info@micropol.com

The Micropol Fiberoptic HMC connectors are available in 1-4 channels, multimode or singlemode.

Micropol Fiberoptics HMC expanded beam connectors have been designed for using in demanding harsh environment applications where size and space requirements are critical.

The HMC connector series is a small EB connector suited for application including broadcast, military, industrial and petrochemical.

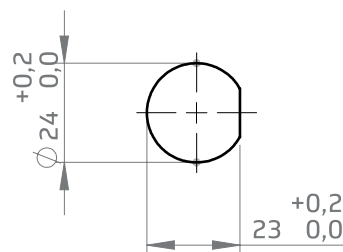


FEATURES

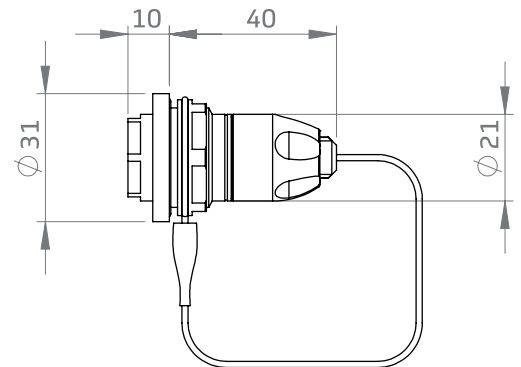
- 4 fiber channels single- or multimode
- Advanced expanded beam technology
- Hermaphroditic interconnection
- Rugged connector design
- Extremely repeatable, long life
- No adaptors needed
- Easy clean, no special tools

COMPATIBLE WITH:

FIBRECO - MINI 3
STRATOS HMC



RECOMMENDED PANEL CUT-OUT



MICROPOL HMC D-HOLE

Optical

Type	Single-mode (SM), Multi-mode (MM) or hybrid
Insertion loss (SM)	Typical insertion loss -1,0dB (1310 nm) Maximum insertion loss -1,5dB (1310 nm)
Insertion loss (MM)	Typical insertion loss -1,0dB (1300 nm) Maximum insertion loss -1,5dB (1300 nm)
Return loss	9/125 @ 1310/1550nm >45dB (typical 48dB)

Mechanical

Coupling type	Hermaphroditic
Compliant	ROHS & REACH
Material	Hard anodized aluminum
Free fall	500 falls from 1,2 meters height

Environmental

Operating temperature	-40°C to +85°C
Storage temperature	-55°C to +85°C
Water immersion	IP67 up to 2 m immersion
Flammability	DOD-STD-1678, method 5010