

FALCON™ JR, D-HOLE, LOW PROFILE

Product sheet
FALCON™ JR D-Hole Low
profile

V7.0 2023-09-11

Micropol Fiberoptic AB
Älvdalsvägen 4
313 50 Åled

Phone: +46 (0)35 17 85 39
Mail: info@micropol.com

The FALCON connectors offer the best attenuation values and smallest 12-channel connector foot-print on the market. With an insertion loss of <1,2 dB it outperforms NATO specification (<2,5 dB).

This is achieved with Micropol's lens technology, state of the art production and alignment process.

The FALCON expanded beam connector JR Low Profile is the only junior sized connector in the world with a range from 1-12 fibers, that have approved beam size according to MIL-M83526/20&21. The FALCON JR LP is optimizing the space by being shorter than other junior connectors.

Like the other connectors in the FALCON family, it is compatible with other Junior-size expanded beam connectors on the market.

FEATURES

- Insertion loss <1,2 dB
- Only expanded beam approved for 40G transmission per channel (optional)
- Only 12-channel junior connector in the world with collimated light beam according to MIL-DTL-83526/20&21
- Temperature range -57°C – +85°C (+100°C optional)
- Hermaphroditic interconnection
- Rugged connector design
- Keyed boot for blind mating
- No adaptors needed
- Easy clean, no special tools

COMPATIBLE WITH*:

FIBRECO JUNIOR

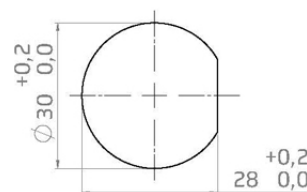
QPC Q-MINI

TE PRO-BEAM Junior

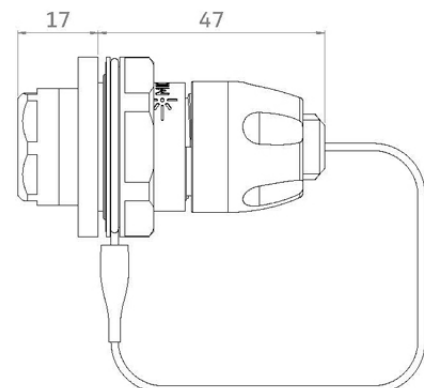
Amphenol TacBeam

Stratos HMA

* *Exception 12-channel*



RECOMMENDED PANEL CUT-OUT



FALCON™ JR, D-HOLE, LOW PROFILE

Optical

Type	Single-mode (SM), Multi-mode (MM) or hybrid
Transmission	10Gbit/s (40Gbit/s optional)
Insertion loss (SM)	Typical insertion loss -0,8dB (1310 nm) Maximum insertion loss -1,2dB (1310 nm)
Insertion loss (MM)	Typical insertion loss -0,8dB (1300 nm) Maximum insertion loss -1,0dB (1300 nm)
Return loss	>35dB at 1310nm or 1550nm Polarization dependent loss less than 0,35 dB

Mechanical

Coupling type	Hermaphroditic
Compliant	ROHS & REACH
Material	Hard anodized aluminum
Alternative material	Marine bronze & stainless steel
Colour	Gray
Durability	3000 mating cycles
Free fall	500 falls from 1,2 meters height
Vibration	5-500Hz, 0,75mm amplitude at 10G
Shaking	390 m/S numbers of shakes 3x4000
Shock pulse length	11ms, half sine at 35g Numbers of axis: 3 (x, y, z)
Recommended wall thickness	2-3 mm

Environmental

Operating temperature	-57°C to +85°C, +100°C optional
Water immersion	IP67
Air pressure	<25kPa -55°C during 4h
Corrosion resistance	500h salt spray
Flammability	DOD-STD-1678, method 5010