

FALCON™ JR, D-HOLE, LOW PROFILE

Productsheet
FALCON™ JR D-Hole Low
profile

V2.0, 2021-05-31

Micropol Fiberoptic AB
Älvdalsvägen 4
313 50 Åled

Phone: +46 (0)35 17 85 39
Mail: info@micropol.com

COMPATIBLE WITH:

FIBRECO JUNIOR

QPC Q-MINI

TE PRO-BEAM Junior

Amphenol TacBeam

Stratos HMA

The FALCON connectors have the best optical performance on the market. This is achieved with Micropol's lens technology, state of the art production and alignment process.

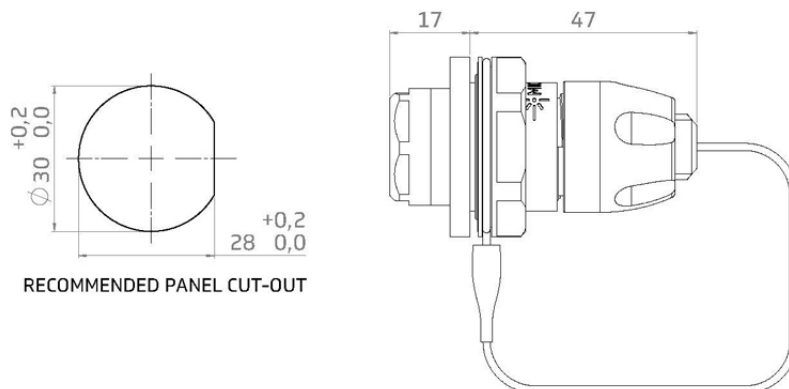
The FALCON expanded beam connector JR Low Profile is the only junior sized connector in the world with a range from 1-12 fibers, that have approved beam size according to MIL-M83526/20&21. The FALCON JR LP is optimizing the space by being shorter than other junior connectors.

Like the other connectors in the FALCON-family, it is compatible with other Junior-size expanded beam connectors on the market.



FEATURES

- Built according to MIL-M83526/20&21
- Advanced expanded beam technology
- Hermaphroditic interconnection
- 1 to 12 fiber channels single-mode or multi-mode
- No adaptors needed
- Low downtime field repair
- Easy clean, no special tools



FALCON™ JR, D-HOLE, LOW PROFILE

Optical

Type	Single-mode (SM), Multi-mode (MM) or hybrid
Insertion Loss (SM)	Typical insertion loss -0,8dB (1310 nm) Maximum insertion loss -1,2dB (1310 nm)
Insertion Loss (MM)	Typical insertion loss -0,8dB (1300 nm) Maximum insertion loss -1,0dB (1300 nm)
Return Loss	>35dB at 1310nm or 1550nm Polarization dependent loss less than 0,35 dB

Mechanical

Coupling type	Hermaphroditic
Compliant	ROHS & REACH
Material	Hard anodized aluminum
Alternative material	Marine bronze & stainless steel
Colour	Gray
Durability	3000 mating cycles
Free fall	500 falls from 1,2 meters height
Vibration	5-500Hz, 0,75mm amplitude at 10G
Shaking	390 m/S numbers of shakes 3x4000
Shock pulse length	11ms, half sine at 35g Numbers of axis: 3 (x, y, z)
Recommended wall thickness	2-3 mm

Enviromental

Operating Temperature	-57°C to +85°C, +100°C optional
Water Immersion	IP67
Air pressure	<25kPa -55°C during 4h
Corrosion resistance	500h salt spray
Flammability	DOD-STD-1678, method 5010