

FALCON™ MINI SLP PLUG

Productsheet
Falcon™ Mini SLP Plug

V1.0, 2020-11-18

Micropol Fiberoptic AB
Älvdalsvägen 4
313 50 Åled

Phone: +46 (0)35 17 85 39
Mail: info@micropol.com

The FALCON connectors has the best optical performance on the market. This is achieved with Micropol's lens technology, state of the art production and alignment process.

The FALCON Mini (SLP) Super-Low Profile Plug is the smallest expanded beam connector available on the market today. It can be configured with single-mode or multi-mode from 1 channel to 4 channels.

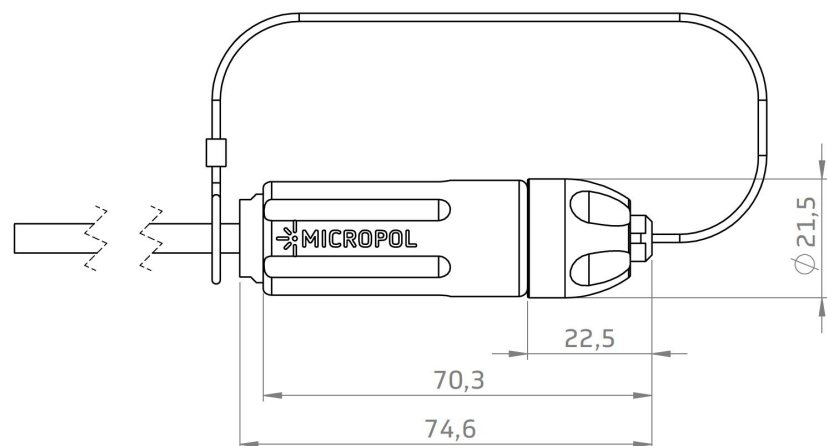
The Super-Low Profile allows it to be used even in the most cramped environments and installations.

Like the other connectors in the FALCON-family, it is compatible with other Mini-size expanded beam connectors on the market.

FALCON™ MINI SLP PLUG

FEATURES

- Built according to MIL-M83526/20&21
- Advanced expanded beam technology
- Hermaphroditic interconnection
- 1 to 4 fiber channels Single-Mode or Multi-Mode
- No adaptors needed
- Low downtime, field repairable
- Easy clean, no special tools



COMPATIBLE WITH

FIBRECO - MINI 2

QPC Q - MICRO

TE PRO-BEAM - MINI

TELECAST MX - MINI



FOR MORE INFORMATION

Check www.micropol.com or call us on +46 (0)35 17 85 39.



FALCON™ MINI SLP PLUG

Optical

Type	Single-mode (SM), Multi-mode (MM) or hybrid
Insertion Loss (SM)	Typical insertion loss - 0,8 dB (1310 nm) Maximum insertion loss - 1,2 dB (1310 nm)
Insertion Loss (MM)	Typical insertion loss - 0,8 dB (1300 nm) Maximum insertion loss - 1,0 dB (1300 nm)
Return loss	>35dB at 1310 nm or 1550 nm Polarization dependent loss less than 0,35 dB

Mechanical

Coupling type	Hermaphroditic
Compliant	ROHS & REACH
Material	Hard anodized aluminum
Alternative material	Marine bronze & stainless steel
Colour	Gray
Durability	3000 mating cycles
Free fall	500 falls from 1,2 meters height
Vibration	5-500Hz, 0,75mm amplitude at 10G
Shaking	390 m/S numbers of shakes 3x4000
Shock pulse length	11ms, half sine at 35g Numbers of axis: 3 (x, y, z)
Recommended wall thickness	2-3 mm

Enviromental

Operating Temperature	-57°C to +85°C, +100°C optional
Water Immersion	IP67
Air pressure	<25kPa -55°C during 4h
Corrosion resistance	500h salt spray
Flammability	DOD-STD-1678, method 5010

FOR MORE INFORMATION

Check www.micropol.com or call us on +46 (0)35 17 85 39.

