

FALCON™ MINI D-HOLE SEALED

Productsheet
FALCON™ Mini D-hole
Sealed

V1.0, 2021-05-31

Micropol Fiberoptic AB
Älvdalsvägen 4
313 50 Åled

Phone: +46 (0)35 17 85 39
Mail: info@micropol.com

The FALCON connectors have the best optical performance on the market. This is achieved with Micropol's lens technology, state of the art production and alignment process.

The FALCON Mini D-hole Sealed is the smallest expanded beam connector available on the market today. It can be configured with single-mode or multi-mode from 1 channel to 4 channels.

Like the other connectors in the FALCON-family, it is compatible with other Mini-size expanded beam connectors on the market.



COMPATIBLE WITH:

FIBRECO - MINI 2

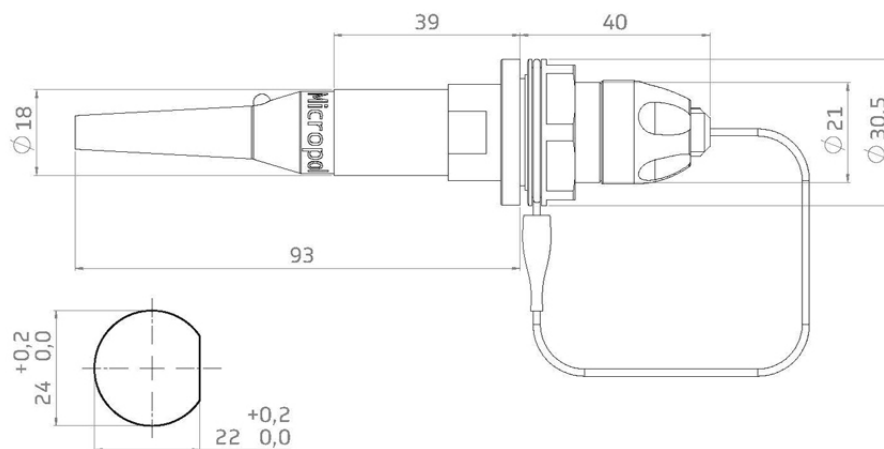
QPC Q - MICRO

TE PRO-BEAM - MINI

TELECAST MX - MINI

FEATURES

- Built according to MIL-M83526/20&21
- Advanced expanded beam technology
- Hermaphroditic interconnection
- 1 to 4 fiber channels single-mode or multi-mode
- No adaptors needed
- Low downtime field repair
- Easy clean, no special tools



RECOMMENDED PANEL CUT-OUT

FALCON™ MINI D-HOLE SEALED

Optical

Type	Single-mode (SM), Multi-mode (MM) or hybrid
Insertion Loss (SM)	Typical insertion loss -0,8dB (1310 nm) Maximum insertion loss -1,2dB (1310 nm)
Insertion Loss (MM)	Typical insertion loss -0,8dB (1300 nm) Maximum insertion loss -1,0dB (1300 nm)
Return Loss	>35dB at 1310nm or 1550nm Polarization dependent loss less than 0,35 dB

Mechanical

Coupling type	Hermaphroditic
Compliant	ROHS & REACH
Material	Hard anodized aluminum
Alternative material	Marine bronze & stainless steel
Colour	Gray
Durability	3000 mating cycles
Free fall	500 falls from 1,2 meters height
Vibration	5-500Hz, 0,75mm amplitude at 10G
Shaking	390 m/S numbers of shakes 3x4000
Shock pulse length	11ms, half sine at 35g Numbers of axis: 3 (x, y, z)
Recommended wall thickness	2-3 mm

Enviromental

Operating Temperature	-57°C to +85°C, +100°C optional
Water Immersion	IP67
Air pressure	<25kPa -55°C during 4h
Corrosion resistance	500h salt spray
Flammability	DOD-STD-1678, method 5010